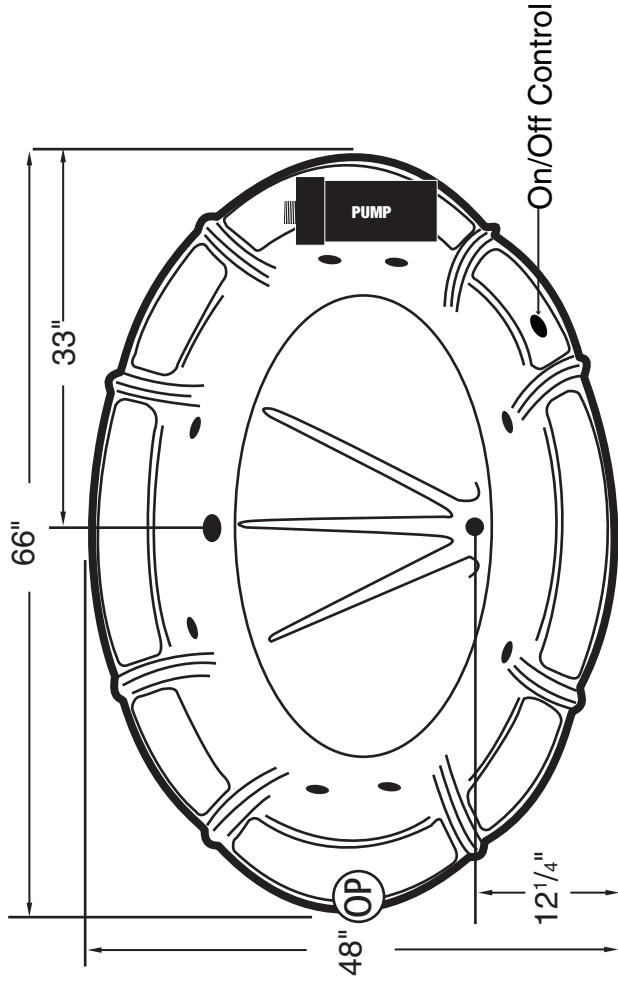


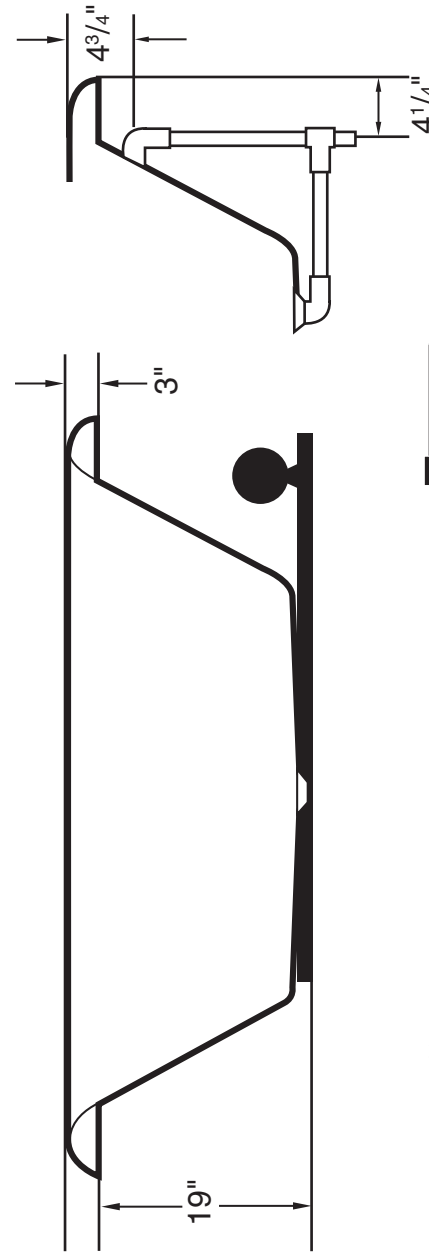
signature series

4866BW-Le Bouquet

S P E C I F I C A T I O N S



TEMPLATE AVAILABLE



Notes: Certain optional features will result in equipment extending beyond perimeter of tub.

OP Optional Pump Location

Standard Pump Location

MODEL: 4866 BW

SIZE: 48" x 66"

EST. BOXED WEIGHT: 138 lbs. (Tub Only)

EST. BOXED WEIGHT: 153 lbs. (Whirlpool)

EST. BOXED WEIGHT: 180 lbs. (Whirlpool W/Champ/Air)

BOXED SIZE: 51" x 76" x 24"

AVERAGE FILL (gallons): 60

PUMP SIZE: 1.5 HP

ELECTRICAL: 110 V 20 Amp Circuit

MATERIAL: Acrylic reinforced fiberglass

STANDARD COLORS: White, Bone, Almond, Biscuit
Sterling Silver, Linen

STANDARD FEATURES: Air Switch

JETS: Star Jets 4, Cluster Jets 4

AIR CONTROL(S): 2

SUCTION FITTINGS: 1

| Interior Depth | Interior Length Top | Interior Width Top | Interior Length Bottom | Interior Width Bottom |
|----------------|---------------------|--------------------|------------------------|-----------------------|
| 18 1/2" | 55 3/4" | 35 3/4" | 40 1/2" | 28 1/2" |

*Except interior depth, all dimensions are approximations to the nearest inch.

VITA[®]
VBATH

A Division of DM Industries, Ltd.
2320 N.W. 147th St., Miami, FL 33054
Tel: (305) 685-5739 / (888) 289-8482
Fax: (305) 688-9415 / (800) 785-5222
Web Site: <http://www.vitabath.com>