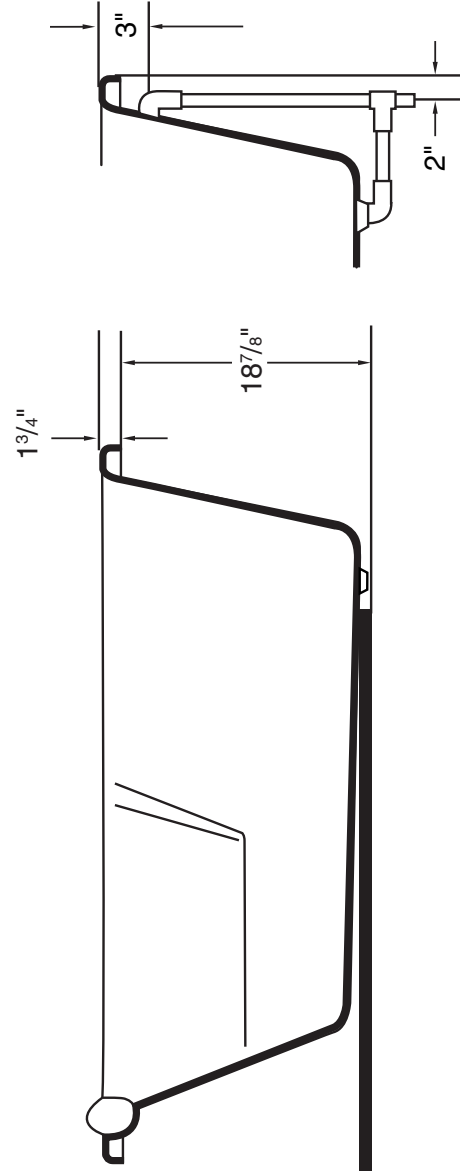
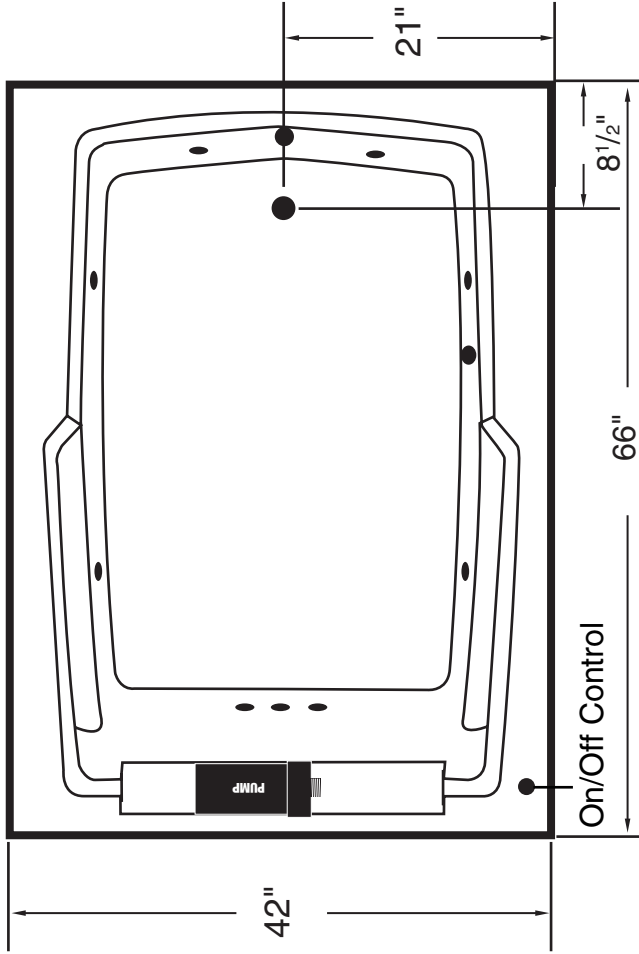


signature series

4266IW-L' Interlude

S P E C I F I C A T I O N S



Standard Pump Location

Notes: Will accept shower door

- All dimensions are plus or minus 1/8" (maximum tolerance)
- Vita Bath reserves the right to make changes without notice.
- Copyright, all rights reserved.

MODEL: 4266 IW

SIZE: 42" x 66"

EST. CRATED WEIGHT: 125 lbs. (Tub Only)

EST. CRATED WEIGHT: 174 lbs. (Whirlpool)

EST. CRATED WEIGHT: 228 lbs. (Whirlpool W/Champ/Air)

BOXED SIZE: 76" x 45" x 24"

AVERAGE FILL (gallons): 65

PUMP SIZE: 1.5 HP

ELECTRICAL: 110 V 20 Amp Circuit

MATERIAL: Acrylic reinforced fiberglass

STANDARD COLORS: White, Bone, Almond, Biscuit
Sterling Silver, Linen

STANDARD FEATURES: Air Switch, Pillow

JETS: Star Jets 6, Cluster Jets 3

AIR CONTROL(S): 1

SUCTION FITTINGS: 1

OTHER: 1 Pillow

Interior Depth	Interior Length Top	Interior Width Top	Interior Length Bottom	Interior Width Bottom
17 ¹ / ₈	57 ⁷ / ₈	31 ³ / ₄	46 ¹ / ₂	27 ¹ / ₂

* Except interior depth, all dimensions are approximations to the nearest inch.

VITA[®] BATH

A Division of DM Industries, Ltd.
2320 N.W. 147th St., Miami, FL 33054
Tel: (305) 685-5739 / (888) 289-8482
Fax: (305) 688-9415 / (800) 785-5222
Web Site: <http://www.vitabath.com>