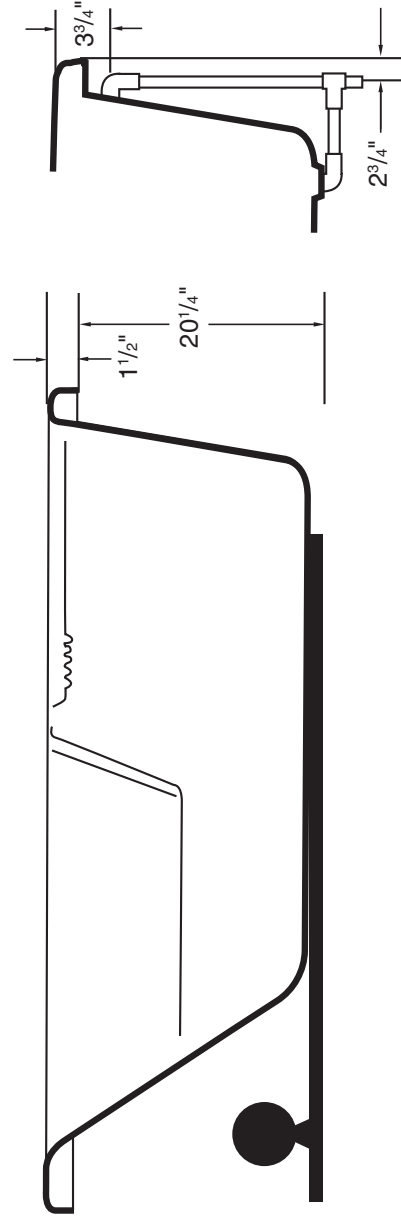
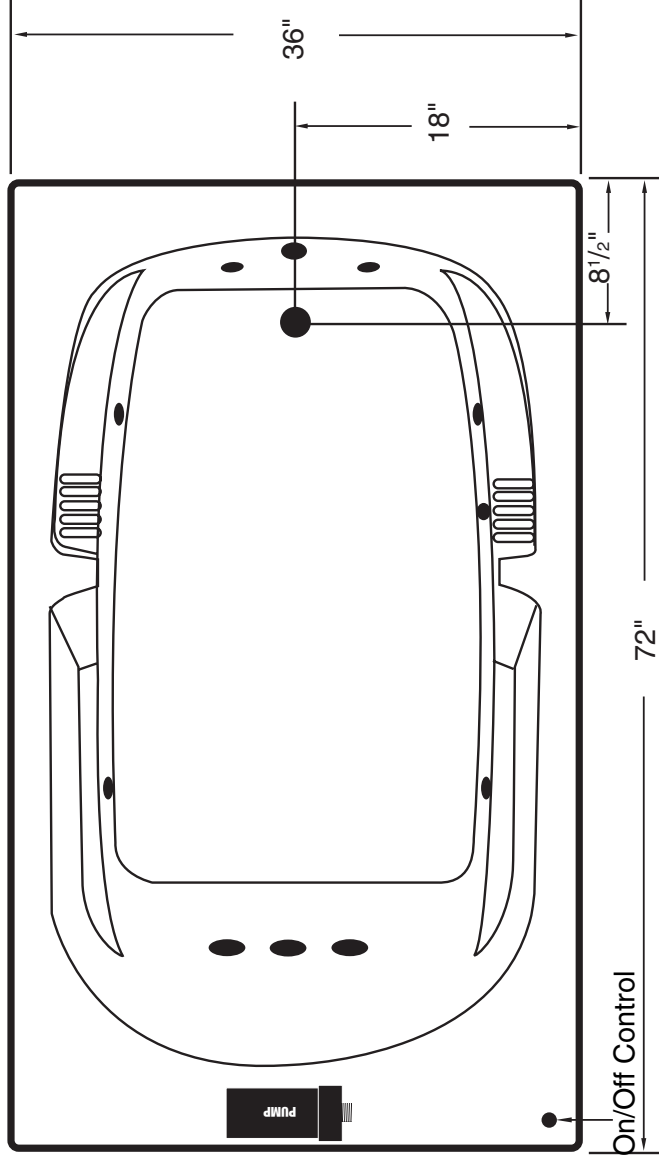


# signature series

3672EW-L' Eros

# S P E C I F I C A T I O N S



Standard Pump Location

Notes: Will accept shower door

- All dimensions are plus or minus 1/32" (maximum tolerance)
- Vita Bath reserves the right to make changes without notice.
- Copyright, all rights reserved.

**MODEL:** 3672 EW

**SIZE:** 36" x 72"

**EST. BOXED WEIGHT:** 137 lbs. (Tub Only)

**EST. BOXED WEIGHT:** 202 lbs. (Whirlpool)

**EST. BOXED WEIGHT:** 231 lbs. (Whirlpool W/Champ/Air)

**BOXED SIZE:** 81" x 39" x 24"

**AVERAGE FILL (gallons):** 60

**PUMP SIZE:** 1.5 HP

**ELECTRICAL:** 110 V 20 Amp Circuit

**MATERIAL:** Acrylic reinforced fiberglass

**STANDARD COLORS:** White, Bone, Almond, Biscuit  
Sterling Silver, Linen

**STANDARD FEATURES:** Air Switch

**JETS:** Star Jets 6, Cluster Jets 3

**AIR CONTROL(S):** 2

**SUCTION FITTINGS:** 1

Interior Depth	Interior Length Top	Interior Width Top	Interior Length Bottom	Interior Width Bottom
18 1/2	63	30	47	18

\* Except interior depth, all dimensions are approximations to the nearest inch.



A Division of DM Industries, Ltd.  
2320 N.W. 147th St, Miami, FL 33054  
Tel: (305) 685-5739 / (888) 289-8482  
Fax: (305) 688-9415 / (800) 785-5222  
Web Site: <http://www.vitabath.com>