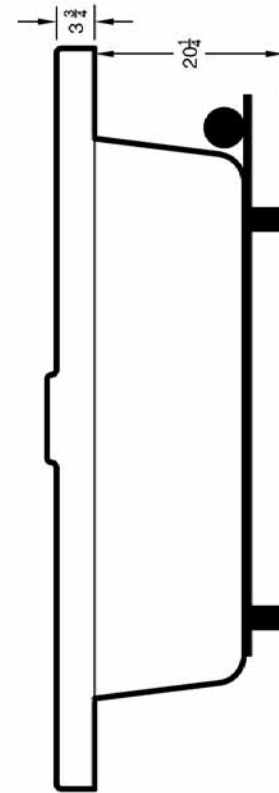
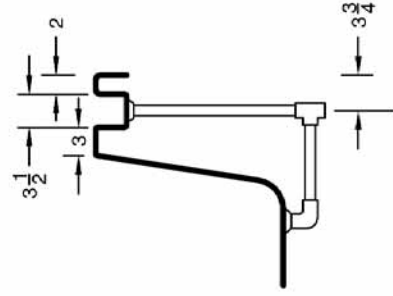
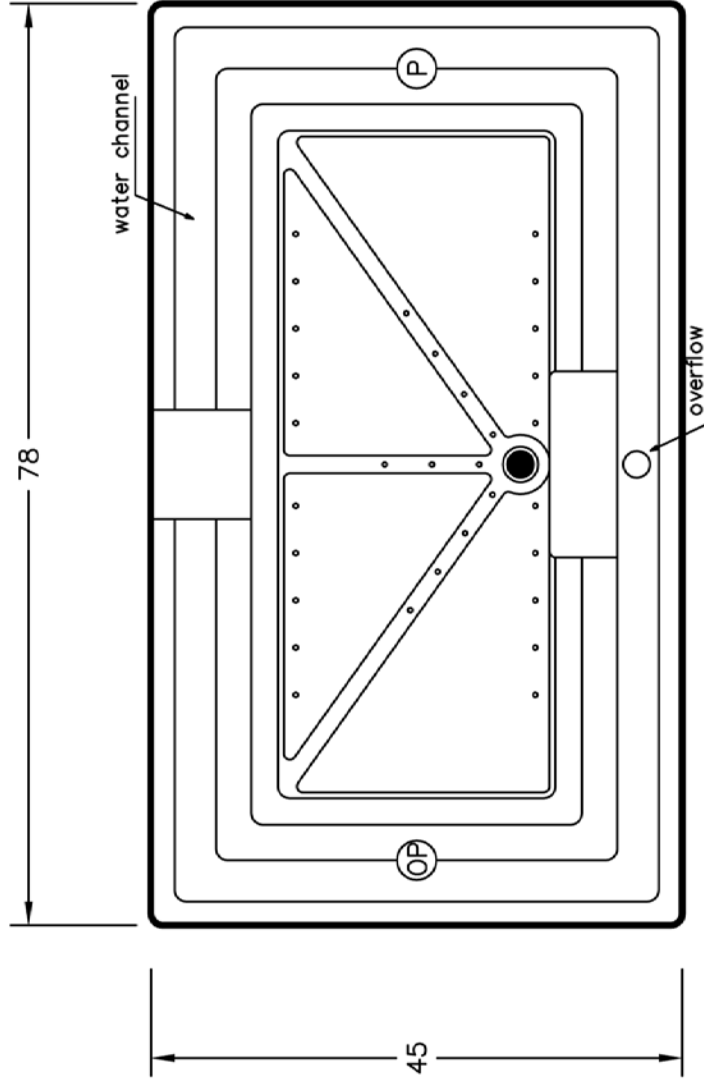


elite plus collection

4678MAS La Mer

S P E C I F I C A T I O N S

- All dimensions are plus or minus 1/2" (maximum tolerance)
- Vita Bath reserves the right to make changes without notice.
- Copyright, all rights reserved.



Ⓞ Optional Pump Location ● Standard Pump Location

MODEL: 4678 MAS

SIZE: 46" X 78"

EST. BOXED WEIGHT: 180 lbs.

BOXED SIZE: 50" X 86" X 40"

AVERAGE FILL (gallons): 142

AIR PUMP SIZE: 1.5 HP

HEATER : 1.5 KW

ELECTRICAL: 110 V 20 Amp Circuit

MATERIAL: Acrylic reinforced fiberglass

STANDARD COLORS: White, Black, Bone, Almond, Biscuit, Linen, Inn. Blush, Sterling Silver

STANDARD FEATURES: Electronic Digital Control, Air Pump, Heater, Spectra-Glo, Vitaroma

AIR JETS: 31 Aero-ssage Jets

Interior Depth	Interior Length Top	Interior Width Top	Interior Length Bottom	Interior Width Bottom
20 ^{3/4}	59 ^{1/4}	26 ^{7/8}	52 ^{1/2}	24

* Except interior depth, all dimensions are approximations to the nearest inch.



A Division of DM Industries, Ltd.
 2320 N.W. 147th St., Miami, FL 33054
 Tel: (305) 685-5739 / (888) 289-8482
 Fax: (305) 688-9415 / (800) 785-5222
 Web Site: <http://www.vitabath.com>