

elite collection

3660EAS-L' Eros

S P E C I F I C A T I O N S

- All dimensions are plus or minus 1/2" (maximum tolerance)
- Vita Bath reserves the right to make changes without notice.
- Copyright, all rights reserved.

MODEL: 3660 EAS

SIZE: 36" X 60"

EST. BOXED WEIGHT: 135 lbs.

BOXED SIZE: 39" x 71" x 24"

AVERAGE FILL (gallons): 50

AIR PUMP SIZE: 1.0 HP

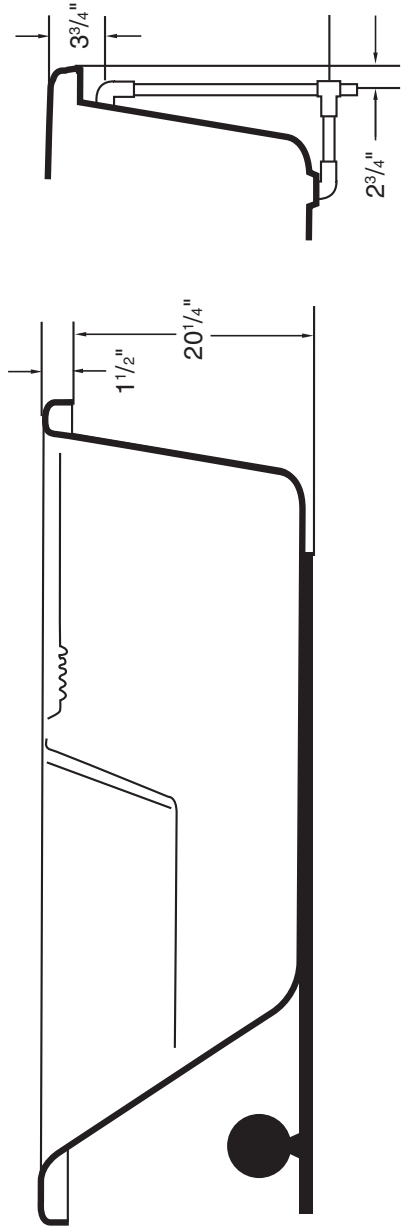
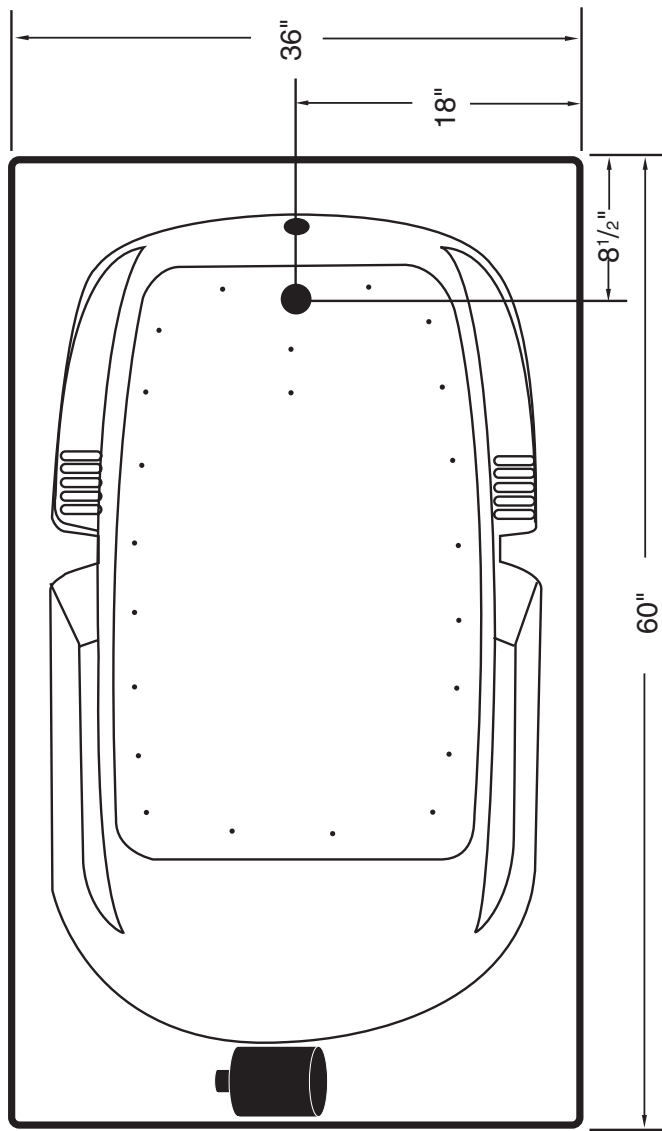
ELECTRICAL: 110 V 20 Amp Circuit

MATERIAL: Acrylic reinforced fiberglass

STANDARD COLORS: White, Bone, Almond, Biscuit Sterling Silver, Linen

STANDARD FEATURES: Electronic Digital Control, Air Pump with Heater, Mood Light, VitaAroma

AIR JETS: 22 Aero--ssage Jets



Notes: Will accept shower door



Standard Pump Location

Interior Depth	Interior Length Top	Interior Width Top	Interior Length Bottom	Interior Width Bottom
18 1/4	53 3/4	29 1/2	42 1/2	18 1/4

* Except interior depth, all dimensions are approximations to the nearest inch.

AromaSpa™
by **VITA™**
VITA

A Division of DM Industries, Ltd.
2320 N.W. 147th St., Miami, FL 33054
Tel: (305) 685-5739 / (888) 289-8482
Fax: (305) 688-9415 / (800) 785-5222
Web Site: <http://www.vitabath.com>