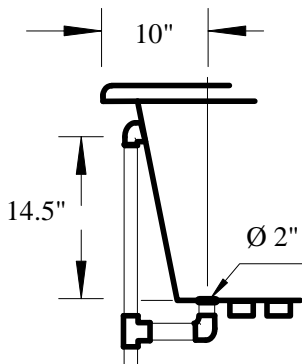
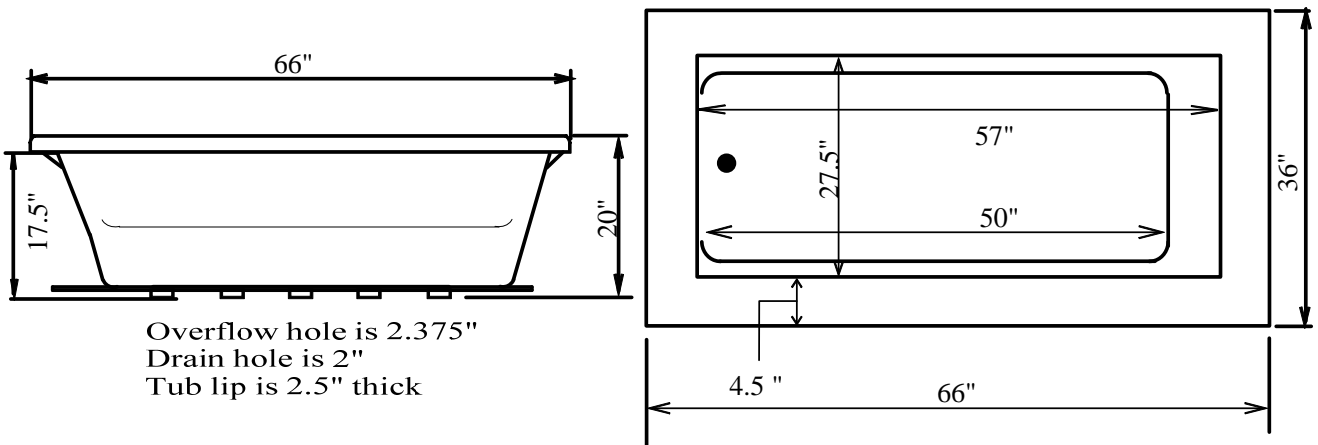


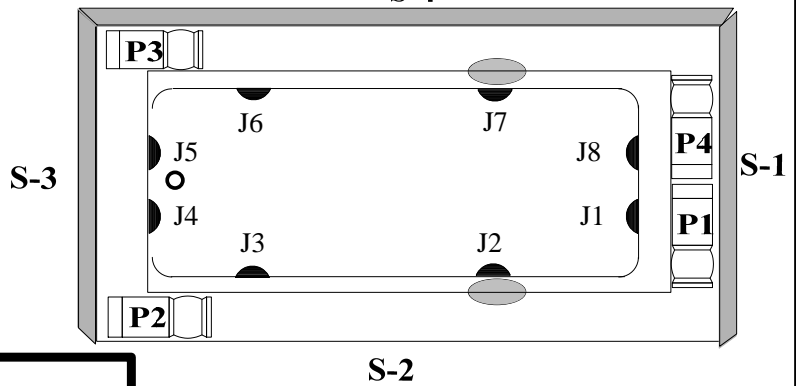
SPECIFICATIONS

elements 6636e

Model #8-6636-0



Optional Integrated 1" flange S-4 Left or Right Facing



NOTES:

Combination System - Blower positioned opposite end of pump

Requires dedicated GFCI circuit

Motor / Pump : 120 VAC, 20AMP, 60 Hz

Control Panel placement:

Centered on deck near J2 or J7



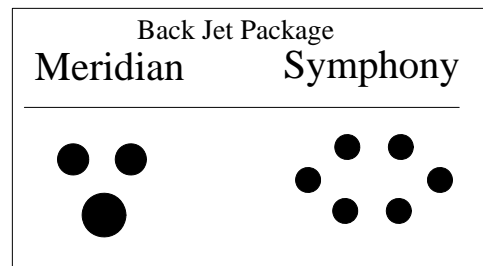
Skirt Available SK-010
For P1 & P4 ONLY

If tub equipped with Air System Add 1.5" to tub height

Available Jet Packages: P, M, S, A, PA, MA, SA

55 Min - 100 Max Gallon Capacity

May be under mounted on some systems



Dimensional Variance +/- 1/2 "

Suggested Pump Access Panel:
20" Long x 12" High



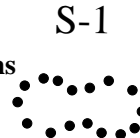
Water Jet Locator



Blower/Pump Locations



Control Panel



S-1 Side Identifier

Air Jet Placement