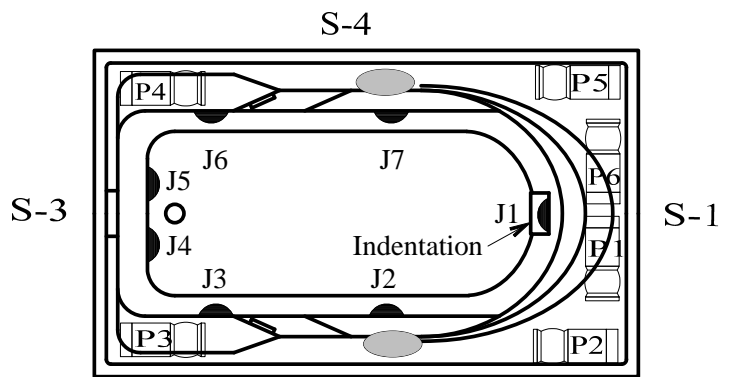
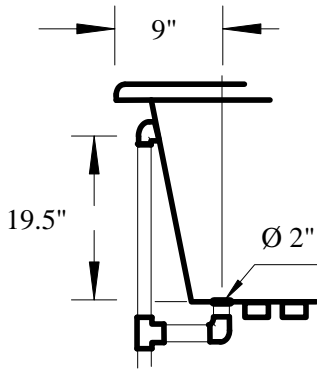
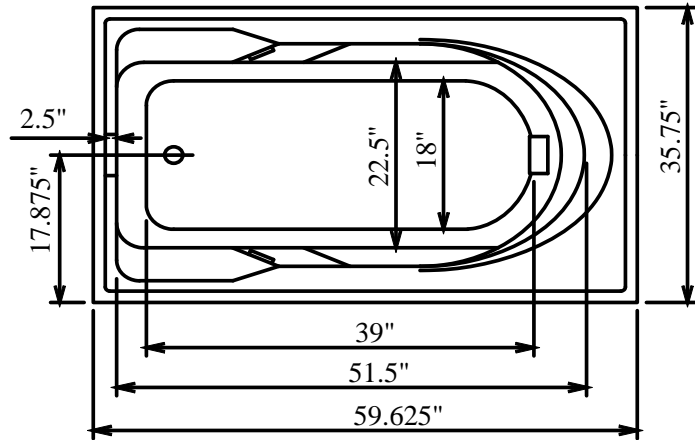
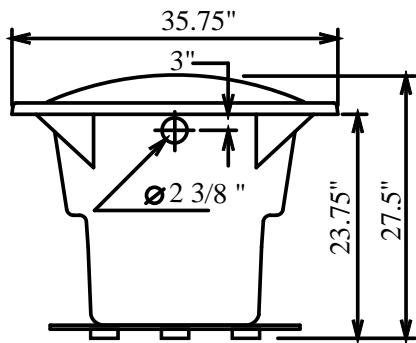


SPECIFICATIONS

LONDON 6036D

Model #2-6036-1



NOTES:

Combination System - Blower positioned opposite end of pump

Requires dedicated GFCI circuit
Motor / Pump : 120 VAC, 20AMP, 60 Hz

Control placement: On deck at end of headrest

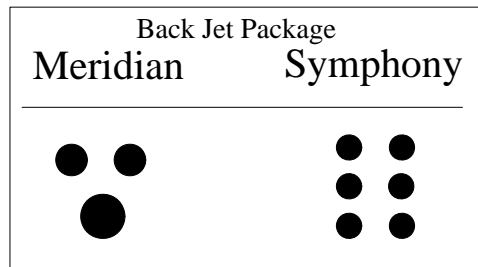


Skirt Available SK-002

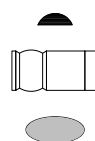
If tub equipped with Air System Add 1.5" to tub height

Available Jet Packages: P, M, S, A, PA, MA, SA

40 Min - 70 Max Gallon Capacity



Dimensional Variance +/- 1/2 "
Suggested Pump Access Panel:
20" Long x 12" High



Water Jet Locator

Blower/Pump Locations

Control Panel

S-1

Side Identifier



Air Jet Placement