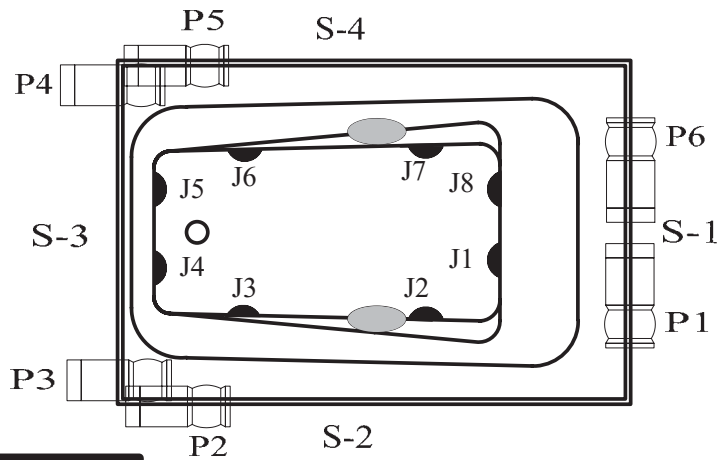
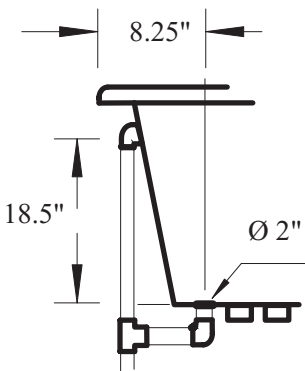
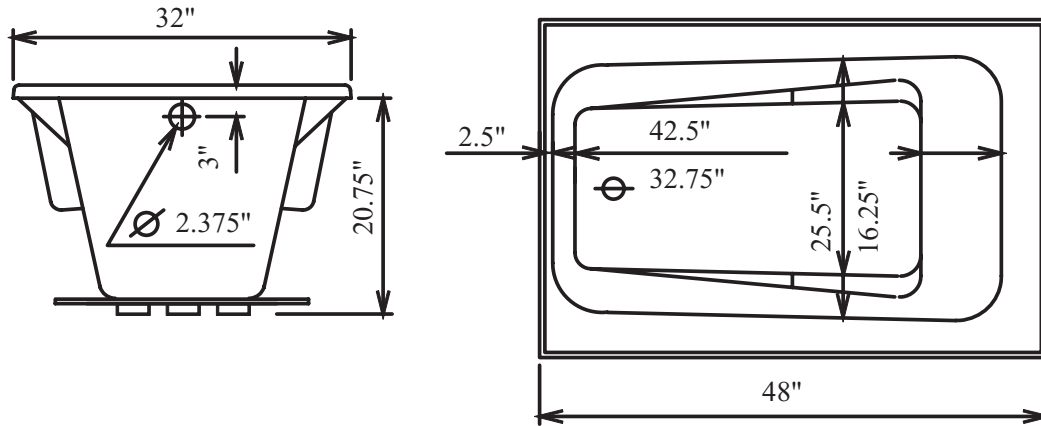


SPECIFICATIONS

BIMINI 4832

Model #1-4832-0



All pump positions extend beyond the perimeter of the tub deck.

Back Jet Package
Meridian



NOTES:

Combination System - Blower positioned opposite end of pump

Requires dedicated GFCI circuit

Motor / Pump : 120 VAC, 20AMP, 60 Hz

Control Panel placement:

Pump location 1, 2, 3 - near J2

Pump location 6, 5, 4 - near J7

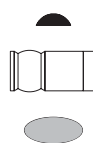


Skirt Fits with Pump in P1 or P6: SK-010

If tub equipped with Air System Add 1.5" to tub height

40 Min - 60 Max Gallon Capacity

Dimensional Variance +/- 1/2 "
Suggested Pump Access Panel:
20" Long x 12" High



Water Jet Locator

Blower/Pump Locations

Control Panel

S-1

Side Identifier



Air Jet Placement