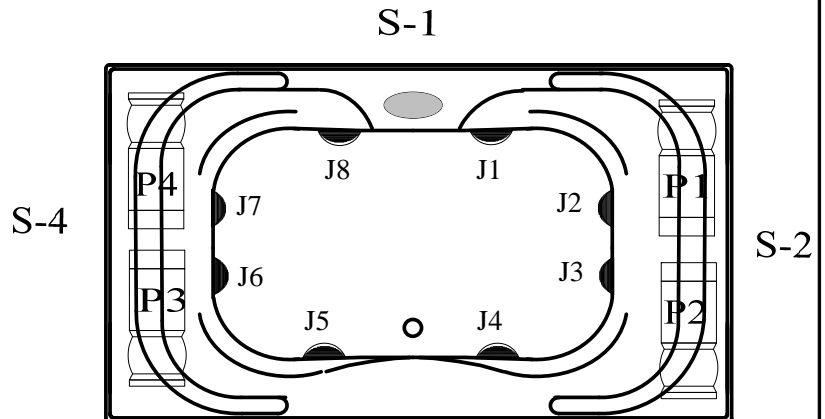
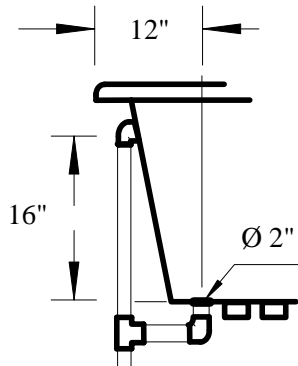
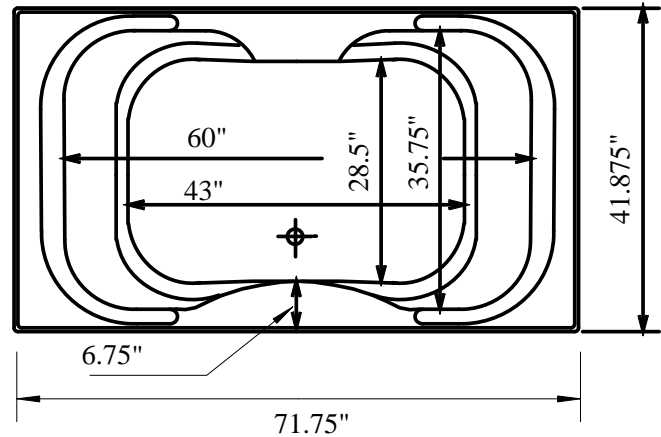
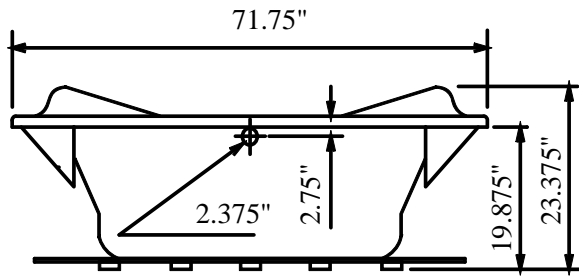


SPECIFICATIONS

HILO 7242H

Model #2-7242-2



NOTES:

Combination System - Blower positioned opposite end of pump

Requires dedicated GFCI circuit

Motor / Pump : 120 VAC, 20AMP, 60 Hz

Control placement: Located on side S1 with any pump location

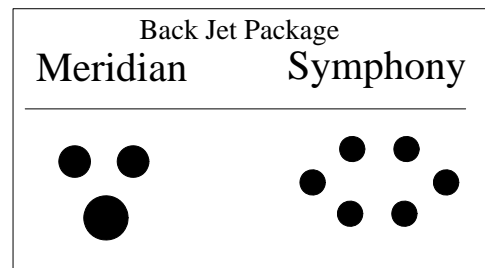


Skirt Available SK-001

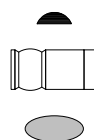
If tub equipped with Air System Add 1.5" to tub height

Available Jet Packages: P, M, S, A, PA, MA, SA

65 Min - 90 Max Gallon Capacity



Dimensional Variance +/- 1/2 "
Suggested Pump Access Panel:
20" Long x 12" High



Water Jet Locator

Blower/Pump Locations

Control Panel

S-1

Side Identifier



Air Jet Placement