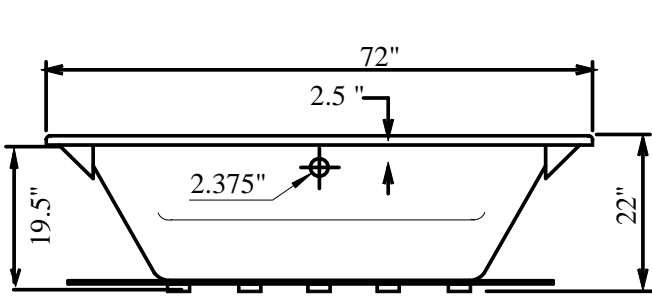


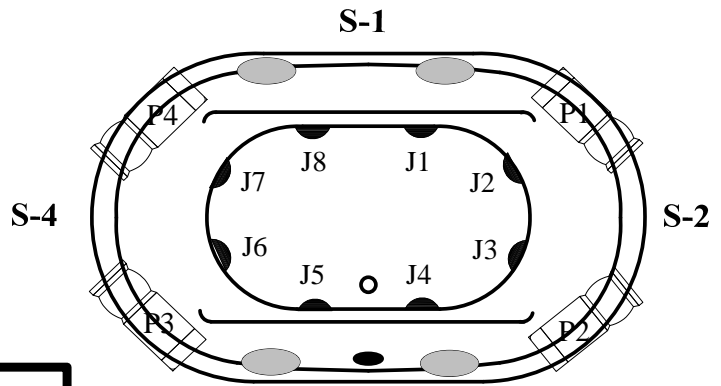
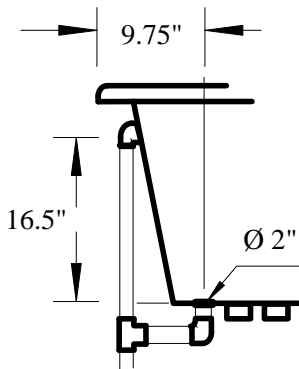
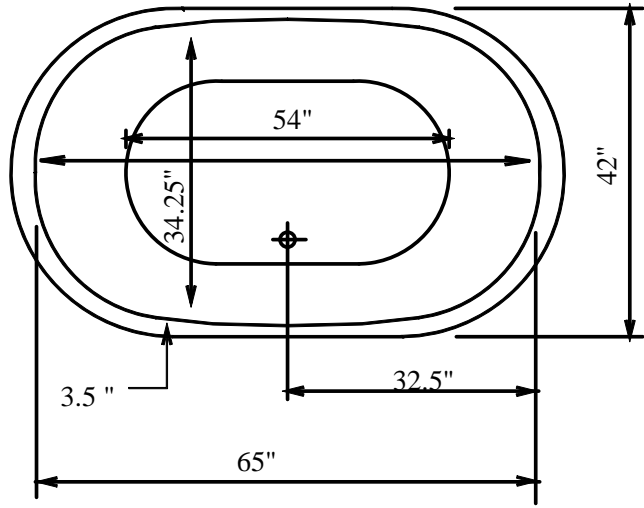
# SPECIFICATIONS

## elements 7242e

Model #8-7242-0



Overflow hole is 2.375"  
Drain hole is 2"  
Tub lip is 2.5" thick



**S-3**  
All pump positions extend beyond the perimeter of the tub deck.

**NOTES:**

Combination System - Blower positioned opposite end of pump

Requires dedicated GFCI circuit  
Motor / Pump : 120 VAC, 20AMP, 60 Hz

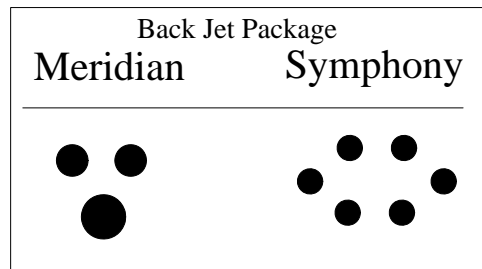
Control Panel placement: On pump side near pump

Skirt is NOT available

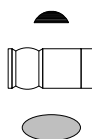
If tub equipped with Air System Add 1.5" to tub height  
Available Jet Packages: P, M, S, A, PA, MA, SA

60 Min - 100 Max Gallon Capacity

May be under mounted on some systems



**Dimensional Variance +/- 1/2 "**  
**Suggested Pump Access Panel:**  
**20" Long x 12" High**



Water Jet Locator

Blower/Pump Locations

Control Panel

S-1

Side Identifier



Air Jet Placement