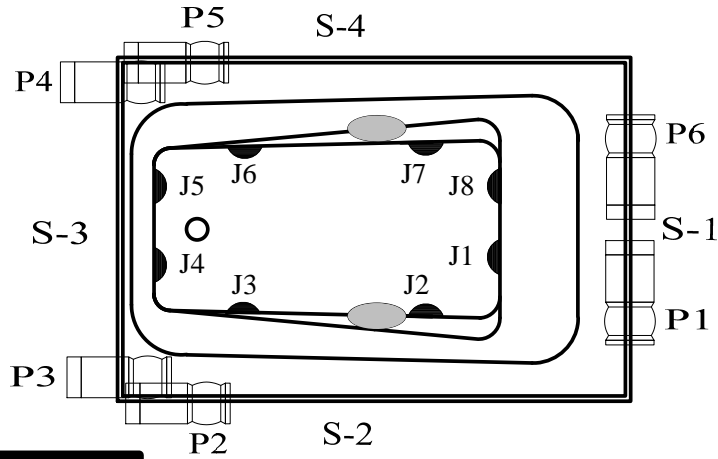
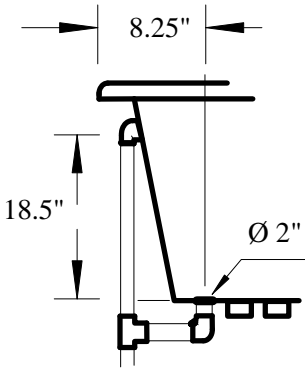
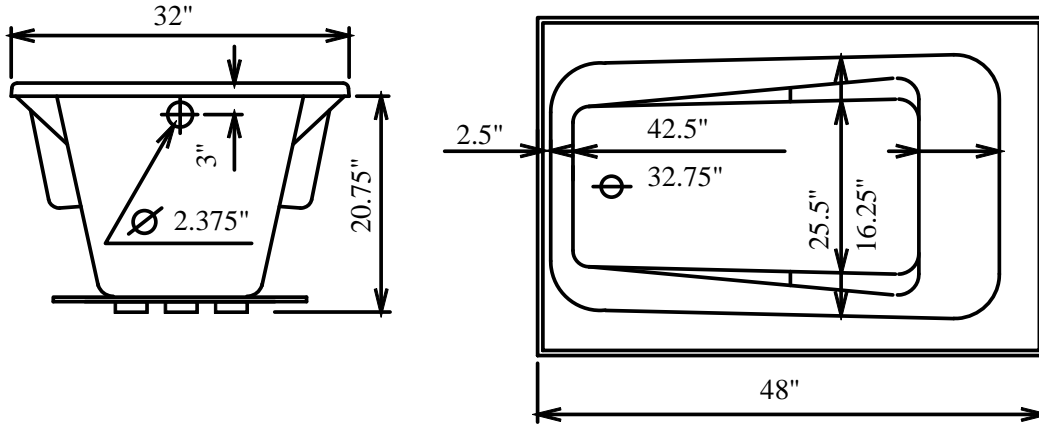


# SPECIFICATIONS

## BIMINI 4832

Model #1-4832-0



All pump positions extend beyond the perimeter of the tub deck.

**NOTES:**

Combination System - Blower positioned opposite end of pump

Requires dedicated GFCI circuit

Motor / Pump : 120 VAC, 20AMP, 60 Hz

Control Panel placement:

Pump location 1, 2, 3 - near J2

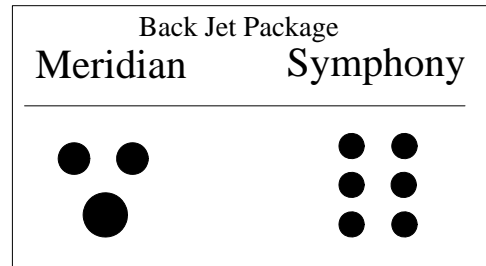
Pump location 6, 5, 4 - near J7

 Skirt Available - SK-010

If tub equipped with Air System Add 1.5" to tub height

Available Jet Packages: P, M, S, A, PA, MA, SA

40 Min - 60 Max Gallon Capacity



**Dimensional Variance +/- 1/2 "**  
**Suggested Pump Access Panel:**  
**20" Long x 12" High**

