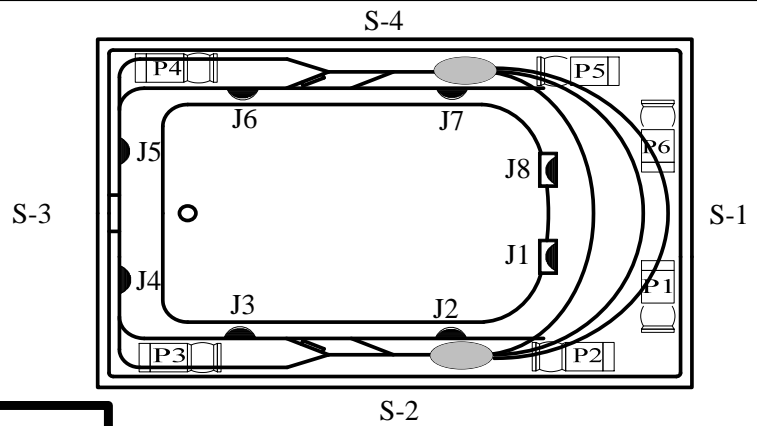
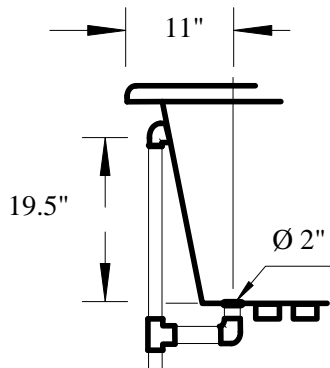
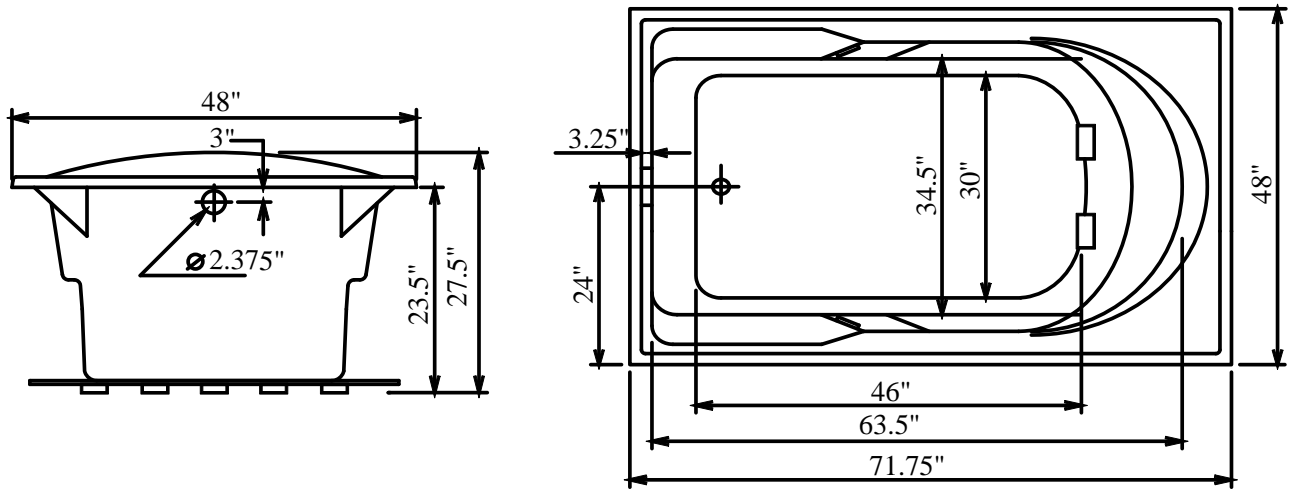


SPECIFICATIONS

BARCELONA 7248D

Model #2-7248-1



NOTES:
Combination System - Blower positioned opposite end of pump

Requires dedicated GFCI circuit
Motor / Pump : 120 VAC, 20AMP, 60 Hz

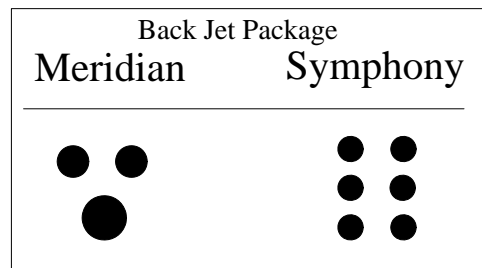
Control placement: On deck at end of head rest

 Skirt Available SK-002

If tub equipped with Air System Add 1.5" to tub height

Available Jet Packages: P, M, S, A, PA, MA, SA

75 Min - 135 Max Gallon Capacity



Dimensional Variance +/- 1/2 "
Suggested Pump Access Panel:
20" Long x 12" High

