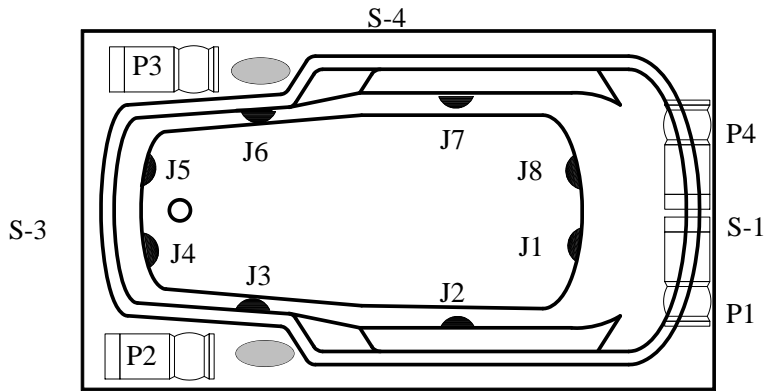
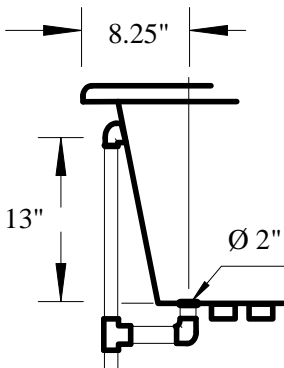
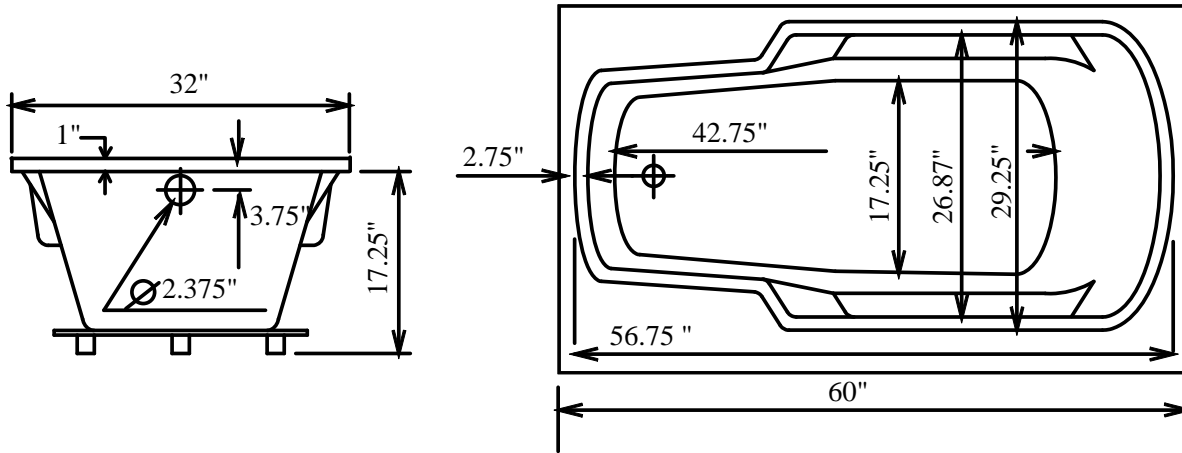



SPECIFICATIONS

BAHAMA 6032

Model #1-6032-0



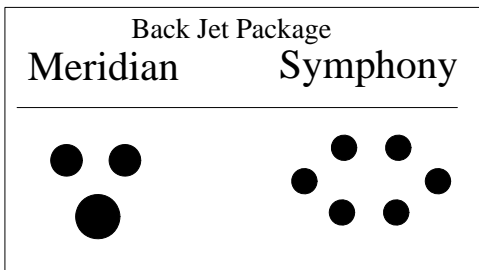
NOTES:
 Combination System - Blower positioned opposite end of pump
 Requires dedicated GFCI circuit
 Motor / Pump : 120 VAC, 20AMP, 60 Hz
 Control placement: Deck mount near arm rests

 Skirt Available SK-001

If tub equipped with Air System Add 1.5" to tub height

Available Jet Packages: P, M, S, A, PA, MA, SA

35 Min - 50 Max Gallon Capacity



Dimensional Variance +/- 1/2 "
Suggested Pump Access Panel:
20" Long x 12" High

