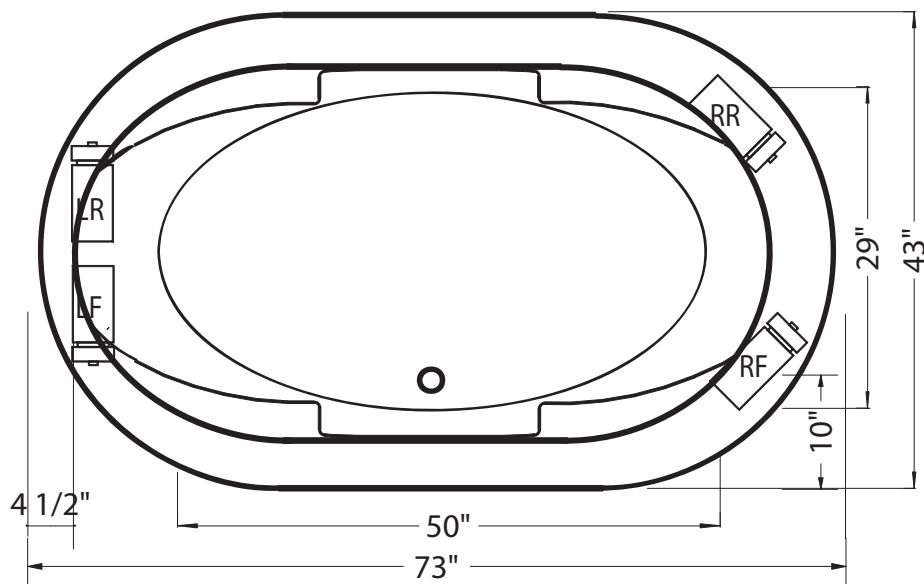


Note: Max. Water Depth = 18"



LF = Left Front Pump Location RF = Right Front Pump Location
LR = Left Rear Pump Location RR = Right Rear Pump Location

MODEL: OPAL 6 XL

SIZE: 43" x 73"

AVERAGE FILL (GAL): 70 GALLONS

ELECTRICAL REQUIREMENT: 110V 20 AMP CIRCUIT

WATER JETS (WHIRLPOOL): 4 ADJUSTABLE, 4 PULSATING

WATER JETS (THERAPY WP): 4 ADJ, 2 PULSE, 6 SPINNING MICROJET

WATER JETS (ULTRA THERAPY): 4 ADJ, 12 SPINNING MICROJET

AIR JETS (AIR BATH): 24 AIR INJECTOR JETS

INSULATION: R-15 SPRAY FOAM (OPTIONAL ON SOAKER)

INLINE HEATER: OPTIONAL 110V (N/A ON AIR BATH)

LIGHTING SYSTEM: OPTIONAL LED SPA LIGHT

NOTES:

Also available: Whirlpool/Air combo, Therapy/Air combo, Whirlpool/Turbo Air combo, Therapy/Turbo Air combo

Air Bath, and combination Whirlpool/Air adds 3" to overall height

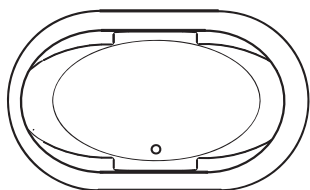
Inline heater requires additional 20 Amp 110v GFCI circuit

Deck cutout dimensions should be 2" smaller than tub dimensions

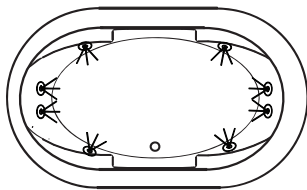
Controls will be surface mounted near the desired pump location

*Two pump system, requires 20A & 15A GFCI circuit. Pump locations are either LF + RF, or LR + RR, requires left and right access

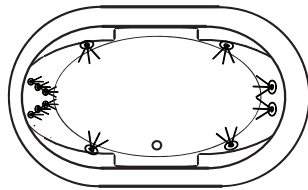
Soaker



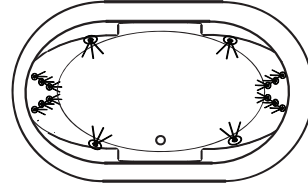
Whirlpool



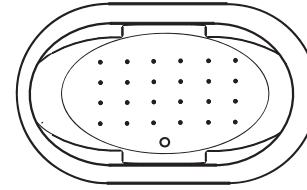
Therapy Whirlpool



Ultra Therapy Whirlpool*



Air Bath



LEGEND:

Water Jet

Air Jet

LEISURE CONCEPTS
 2501 Perry St.
 Madison, WI 53713
 (800) 809-9111
www.leisureconcepts.net